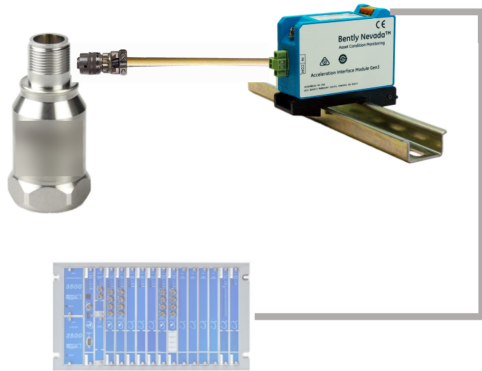


Low Frequency Velocity Transducer System

Datasheet

Bently Nevada Machinery Condition Monitoring

185M2670 Rev. -



Description

The **Low Frequency Velocity Transducer System (LFVTS)** is specifically designed for low frequency and low amplitude vibration measurements from machines, such as hydroelectric turbines where slow rotating speeds require detecting low vibration signals. It detects the vibration of the stator core, stator frame, and bearing housing supports. The LFVTS is designed to provide early warning of pending machinery problems and to help in diagnosing problems before they become serious.

Stator core and stator frame vibration can cause fretting and damage to the winding insulation. To detect these problems before serious damage occurs, mount the low frequency accelerometer on the outer diameter of the stator core and frame.

Bearing housing vibration can distort levels of vibration measured by shaft-observing proximity probes. To detect premature failure of machine components and prevent significant machine problems, place the LFVTS in locations that measure both shaft-relative and bearing-absolute vibration signals. The low frequency accelerometers can be mounted to the bearing housing either as a stand-alone measurement or in the same orientation as existing proximity sensors.

The LFVTS comprises three components: (1) 350620 Low Frequency Positive Accelerometer Interface Integration Module (LF+AIIM), (2) Interconnection Cable, and (3) Low Frequency (LF) Accelerometer (see [Figure 1: LFVTS on page 12](#)).

The **350620 LF+AIIM** provides an accurate analog signal processing and conditioning of an electrical equivalent acceleration vibration signal from a LF accelerometer within a rotating machine. The LF+AIIM also integrates the



acceleration signal into the velocity vibration signal directly proportional in amplitude to the equivalent mechanical velocity vibration magnitude (of the input signal). The velocity output signal can be applied to appropriate monitoring equipment for display of velocity vibration magnitude and for detecting alarm conditions.

The **Interconnection Cable** is generally a shield twisted-pair-conductor cable with 2-pin female connector at one end and blunt cut at the other end. Different options of interconnection cables are listed in [Interconnection Cables on page 6](#).

The **Low Frequency Accelerometer** measures absolute (relative to free space) bearing housing, casing, or structural vibration. The sensor is a shear-mode piezoelectric based accelerometer that incorporates embedded integrated electronics in a solid-state design. There is no moving part in the sensor that potentially would induce mechanical degradation and fatigue of components. The sensor can be mounted at any angle of orientation. There are two options of the Low Frequency Accelerometers: the BN 185M3314's sensitivity is 500 mV/g; the BN 185M3313's is 1,000 mV/g. Their other performance specifications are slightly different (refer to the [LF Accelerometer Specifications on page 9](#)).

The Low Frequency Velocity Vibration Transducer System (with only BN 185M3313 and 185M3314 LF Accelerometers) is compatible with Bently Nevada's 3500/46M with the Multimode Positive Input I/O Module (169715-xx) or the 143729-xx I/O MOD 162776-01 (MOD 3500/4X w Positive Voltage Inputs). These I/O modules enable the monitor to provide positive voltage supply to power up and receive positive signal from the 350620 LF+AIIM. The LFVTS requires a shielded triad (or 3-conductor) cable to connect to the BN 3500 monitor.

LFVTS Specifications

Parameters are specified from +20 to +30°C (+68 to +86°F) and 100 Hz unless otherwise indicated.

Electrical (LFVTS)

Power Supply Requirements

Supply Voltage Range	+24.0±2.0 VDC
Supply Current Range	15.0 mA nominal, 18.0 mA max.

Performances

Output Impedance	50±3 Ω
Sensitivity	<p>With BN 185M3314, 500 mV/g acceleration input: 500 mV/in/s (19.68 mV/mm/s) ±8% @ 20°C (68°F), referenced to 61.445 Hz</p> <p>With BN 185M3313, 1,000 mV/g acceleration input: 1,000 mV/in/s (39.37 mV/mm/s) ±8% @ 20°C (68°F), referenced to 61.445 Hz</p>
Dynamic Range	<p>With BN 185M3314, 500 mV/g acceleration input: ≤ 10 in/s (See Figure 2: Vibration Nomograph LFVTS on page 13)</p> <p>With BN 185M3313, 1,000 [mV/g] acceleration input: ≤ 5 in/s (See Figure 2: Vibration Nomograph LFVTS on page 13)</p>

Electrical Noise	3 mV _{RMS} typical (3 ~ 20M Hz, without vibration signal input)
Frequency Response (±3 dB)	<p>With BN 185M3314: 0.5 to 2,500 Hz, typical @ 20°C (68°F), referenced to 61.445 Hz</p> <p>With BN 185M3313: 0.7 to 2,500 Hz, Typical @ 20°C (68°F), referenced to 61.445 Hz</p>
Temperature Sensitivity Change	±18% -40°C to 85°C (over specified temperature, referenced @ 20°C and @ 61.445 Hz sensitivity)
Amplitude Non-Linearity	±3% of full-scale range
Maximum Cable Capacitance Load	200 nf without signal degradation
Load Resistance	≥ 10 kΩ
Output Signal DC Bias Voltage	+10.0±0.15 VDC

Environmental (LFVTS)

Operating Temperature Range	-40°C to +85°C (-40°F to +185°F)
Storage Temperature Range	-40°C to +125°C (-40°F to +215°F)
Shock Survivability	≥981 m/s ² (1000 g-peak), any direction
Relative Humidity	80%

LF+AIIM Specifications



Description

The system is powered by positive voltage power supply and designed for ICP/IEPE (constant current) powered accelerometer.

The LF+AIIM performs the following functions:

- Provides the positive excitation voltage and the constant-current drive for the (ICP or IEPE) accelerometer.
- Generates the proper DC bias level for the output signal.
- Provides frequency filtering with a 3-pole high-pass and 2-pole low-pass filters in passband between 0.5 Hz and 3.2 kHz.
- Integrates acceleration signals to velocity signals.
- Provides a low output impedance amplifier that enables large capacitive loads (long cables) to be driven.
- RoHS compliant.

Electrical (LF+AIIM)

Parameters are specified from +20 to +30°C (+68 to +86°F) and 100 Hz unless otherwise indicated.

Power Supply Requirements

Supply Voltage Range	+24.0±2.0 VDC
Supply Current Range	12.0 mA nominal, 15.0 mA max.

Power to Sensor

IEPE Excitation Voltage	+20.0±2.0 VDC
IEPE Current Range	4±0.3 mA
IEPE Current Range	4±0.4 mA (-40 to +85°C)

Input Requirements (from Sensor)

Sensor Bias Voltage Range	+7 ~ 13 VDC
Max. Input Signal	5 Vpk at above 61.445 Hz

Performances (LF+AIIM)

Input Impedance	> 75 kΩ
Output Impedance	50±3 Ω
Converter Gain	1 V/V ±5% @ 61.445 Hz

Sensitivity	With BN 185M3314, 500 mV/g acceleration input: 500 mV/in/s (19.68 mV/mm/s) $\pm 5\%$ @ 20°C (68°F), referenced to 61.445 Hz
	With BN 185M3313, 1,000 mV/g acceleration input: 1,000 mV/in/s (39.37 mV/mm/s) $\pm 5\%$ @ 20°C (68°F), referenced to 61.445 Hz
Dynamic Range	With BN 185M3314, 500 mV/g acceleration input: ≤ 10 in/s (See Figure 2: Vibration Nomograph LFVTS on page 13)
	With BN 185M3313, 1,000 [mV/g] acceleration input: ≤ 5 in/s (See Figure 2: Vibration Nomograph LFVTS on page 13)
Electrical Noise	2.3 mV _{RMS} typical, (3 ~ 20M Hz, without vibration signal input)
Frequency Response (± 3 dB)	0.4 to 3,200 Hz typical @ 20°C (68°F), referenced to 61.445 Hz
Temperature Sensitivity Change	$\pm 15\%$ -40°C to 85°C (over specified temperature, referenced @ 20°C and @ 61.445 Hz sensitivity)
Amplitude Non-Linearity	$\pm 2\%$ of full-scale range
Maximum Cable Capacitance Load	200 nf without signal degradation
Load Resistance	≥ 10 k Ω
Output Signal DC Bias Voltage	+10.0 \pm 0.15 VDC

Case Isolation	None (case connected to signal COM)
----------------	-------------------------------------

Physical (LF+AIIM)

Weight	246 g (8.7 oz)
Sensor Connector	2-conductor Phoenix connector
Power/Signal Connector	3-conductor SpringLoc terminal strip (for AWG 16 to 24)

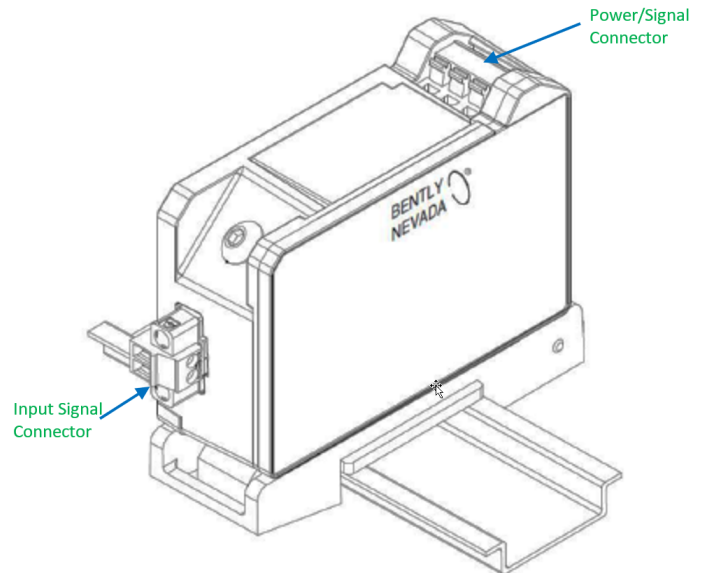


Figure 1: 350620 LF+AIIM with DIN Mount

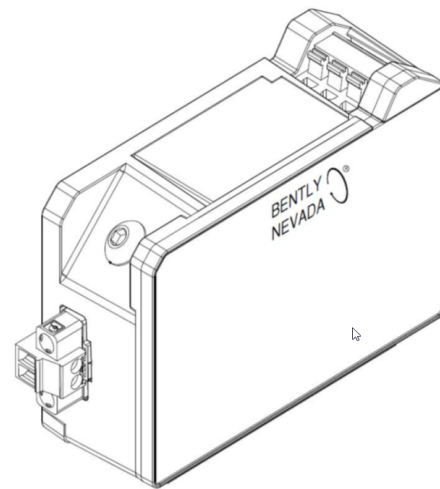


Figure 2: 350620 LF+AIIM with No Mount

Compliance and Certifications (LF+AIIM)

FCC

This device complies with part 15 of the FCC Rules. Operation is subject to the following two conditions:

- This device may not cause harmful interference.
- This device must accept any interference received, including interference that may cause undesired operation.

EMC

EN 61000-6-2

EN 61000-6-4

EMC Directive 2014/30/EU

RoHS

RoHS Directive 2011/65/EU

Ordering Information



For the detailed listing of country and product specific approvals, refer to the *Approvals Quick Reference Guide* (108M1756) available from Bently.com.

350620 LF+AIIM

350620-AA-BB

A: Mounting Option 350620

00	Panel Mount
01	DIN Rail Mount
02	No Mount

B: Agency Approval Option

00	Not Required
-----------	--------------

Accessories

Part Number	Description
134M3057	Adapter
138493-01	DIN Mount
138492-01	Panel Mount

Interconnection Cables

The following standard cable lengths are available. You can order custom cable lengths in increments of one foot at additional cost. Some cables have a minimum and maximum length. For details, see each part description below.

Standard Cable Lengths

Feet	Meters (approximate)
6 ft	1.8 m
8 ft	2.4 m

Feet	Meters (approximate)
10 ft	3.0 m
12 ft	3.6 m
15 ft	4.5 m
17 ft	5.0 m
20 ft	6.0 m
25 ft	7.6 m
30 ft	9.0 m
33 ft	10.0 m
50 ft	15.2 m
99 ft	30.0 m

Cable Part Numbers

Part number	Description
-------------	-------------

† NOTE: Use 'AA' in the part numbers below to specify the length (in feet) of the cable you want to order.

02173034	<p>Splash-Proof Interconnect Cable</p> <p>Recommended for high electromagnetic noise environment and European Conformance (CE).</p> <p>Shielded 0.382 mm² (22 AWG) cable with a splash proof boot over a female connector at the transducer end and flush cut at the monitor end. Temperature range -55 to 125°C (-67 to 257°F).</p>
----------	---

Part number	Description
CB2W100-AAA†	<p>Splash-Proof Interconnect Cable</p> <p>Shielded 0.382 mm² (22 AWG) cable with splash proof over molded boot, blunt cut at the monitor end. Temperature range -50 to 200°C (-58 to 392°F).</p> <p>Standard lengths:</p> <p>15 ft (4.5 m)</p> <p>32 ft (9.8 m)</p> <p>64 ft (19.5 m)</p> <p>12 ft (34.1 m)</p> <p>125 ft (38.1 m)</p> <p>150 ft (45.7 m)</p> <p>200 ft (61.09 m)</p>
9571-AA†	<p>Standard Interconnect Cable</p> <p>Shielded 0.382 mm² (22 AWG) cable with a moisture resistant female connector at the transducer end and ring lugs at the monitor end. Temperature range -29 to 121°C (-20 to 250°F).</p> <p>Minimum length 2 ft (0.60 m); maximum length 99 ft (30 m).</p>
84661-AA†	<p>Standard Armored Interconnect Cable</p> <p>Stainless steel armor over shielded 0.382 mm² (22 AWG) cable with a moisture resistant female connector at the transducer end and ring lugs at the monitor end. Temperature range -29 to 121°C (-20 to 250°F).</p> <p>Minimum length 3 ft (0.91 m); maximum length 96 ft (29 m).</p>

Part number	Description
89477-AA†	<p>Right Angle Interconnect Cable</p> <p>Shielded 0.963 mm² (18 AWG) cable with a moisture resistant right angle female connector at the transducer end and ring lugs at the monitor end. Temperature range -29 to 121°C (-20 to 250°F).</p> <p>Minimum length 2 ft (0.6 m); maximum length 99 ft (30 m).</p>
122129-AA†	<p>Short Run Interconnect Cable</p> <p>Shielded 0.963 mm² (18 AWG) cable with a moisture resistant female connector at the transducer end and ring lugs at the monitor end. Temperature range -29 to 121°C (-20 to 250°F).</p> <p>Minimum length 6 in (152 mm); maximum length 24 in (610mm).</p>
02173006	<p>0.963 mm² (18 AWG) Bulk Cable</p> <p>Shielded twisted pair. Same cable as used on 89477-AA and 122129-AA. Specify number of feet.</p>
02173007	<p>0.382 mm² (22 AWG) Bulk Cable</p> <p>Shielded twisted pair. Same cable as used on 9571-AA and 84661-AA. Specify the number of feet. The maximum length that should be used with the transducer is 305 m (1000 ft)</p>

Part number	Description
00502025	<p>Spare Connector</p> <p>Same connector as used on 9571-AA and 84661-AA</p>
101212-01	<p>Right Angle Connector</p> <p>Right angle connector kit. Same connector as used on 89477-AA.</p>

LF Accelerometer Specifications



Description

The Low Frequency Accelerometer measures absolute (relative to free space) bearing housing, casing, or structural vibration. The sensor is a shear-mode piezoelectric based accelerometer that incorporates embedded integrated electronics in a solid-state design. There is no moving part in the sensor that potentially would induce mechanical degradation or fatigue of components. The sensor can be mounted at any angle of orientation. There are two options for the Low Frequency Accelerometers: the BN 185M3314 has a sensitivity of 500 mV/g; the BN 185M3313 has a sensitivity of 1,000 mV/g. Their other performance specifications are slightly different.

Electrical (LF Accelerometer)

Parameters are specified from +20 to +30°C (+68 to +86°F) and 100 Hz unless otherwise indicated.

Power Supply Requirements (LF Accelerometers 185M3314 and 185M3313)

IEPE Excitation Voltage	+24±6 VDC
IEPE Current Range	2 to 10 mA

Performances (LF Accelerometer 185M3314 Only)

Output Impedance	400 Ω max.
Output Signal DC Bias Voltage	+8.0±1.0 VDC
Sensitivity (BN 185M3314)	500 mV/g (19.68 mV/m/s ²) ±5%
Dynamic Range	10 g Peak
Frequency Response	± 5% 0.3-1,200 Hz ± 10% 0.2-1,600 Hz ± 3 dB 0.1-2,500 Hz
Resonance Frequency	18 kHz
Transverse Sensitivity	≤ 5% of Axial
Vibration Limit	250 g Peak
Shock Limit	5,000 g Peak
Electrical Noise (Equivalent in g)	Spectral 0.1 Hz 15 µg/√Hz 1 Hz 3 µg/√Hz 10 Hz 1 µg/√Hz 100 Hz 1 µg/√Hz
Electromagnetic Sensitivity (Equivalent in g)	150 µg/gauss
Base Strain Sensitivity	0.0005 g/µ-strain max.

Temperature Sensitivity Change	±7% @ -50°C to 120°C
Amplitude Non-Linearity	±1% of full-scale range
Maximum Cable Capacitance Load	20 nf without signal degradation
Load Resistance	≥ 100 kΩ
Case Isolation	Isolated, Internal Shielded
Sealing	Hermetically Sealed

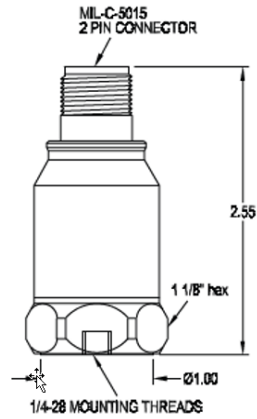
Performances (LF Accelerometer 185M3313 Only)

Output Impedance	400 Ω max.
Output Signal DC Bias Voltage	+8.0±1.0 VDC
Sensitivity (BN 185M3313)	1,000 mV/g (39.37 mV/m/s ²) ±5%
Dynamic Range	5 g Peak
Frequency Response	± 5% 0.6-1,200 Hz ± 10% 0.4-1,600 Hz ± 3 dB 0.2-2,500 Hz
Resonance Frequency	18 kHz
Transverse Sensitivity	≤ 5% of Axial
Vibration Limit	250 g Peak
Shock Limit	5,000 g Peak
Electrical Noise (Equivalent in g)	Spectral 0.1 Hz 15 μg/√Hz 1 Hz 3 μg/√Hz 10 Hz 1 μg/√Hz 100 Hz 1 μg/√Hz

Electromagnetic Sensitivity (Equivalent in g)	150 μg/gauss
Base Strain Sensitivity	0.0005 g/μ-strain max.
Temperature Sensitivity Change	±7% @ -50°C to 120°C
Amplitude Non-Linearity	±1% of full-scale range
Maximum Cable Capacitance Load	20 nf without signal degradation
Load Resistance	≥ 100 kΩ
Case Isolation	Isolated, Internal Shielded
Sealing	Hermetically Sealed

Physical (BN 185M3314, BN 185M3313)

Weight	205 g (7.23 oz)
Sensor Connector	2-Pin, MIL-C-5015 Style
Case Material	316L Stainless Steel
Mounting	¼-28 Tapped Hole



Connections	
Function	Connector pin
power/signal	A
common	B
ground	shell



Figure 3: LF Accel Mounting

Ordering Information

BN 185M3314	500 mV/g
BN 185M3313	1,000 mV/g

Appendices and Figures

Required Monitor and I/O Module

BN 3500/46M	Hydro Monitor
169715-01 or -02	Multimode Positive Input I/O Module with Internal or External Terminations
143729 -01 or -02 with MOD 162776-01	I/O Module

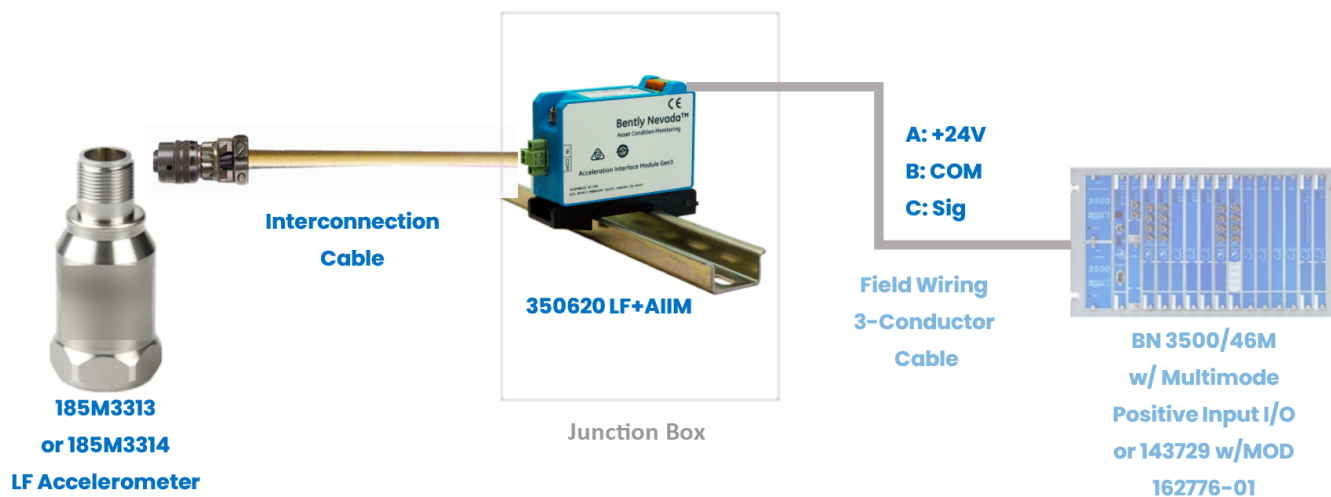


Figure 1: LFVTS

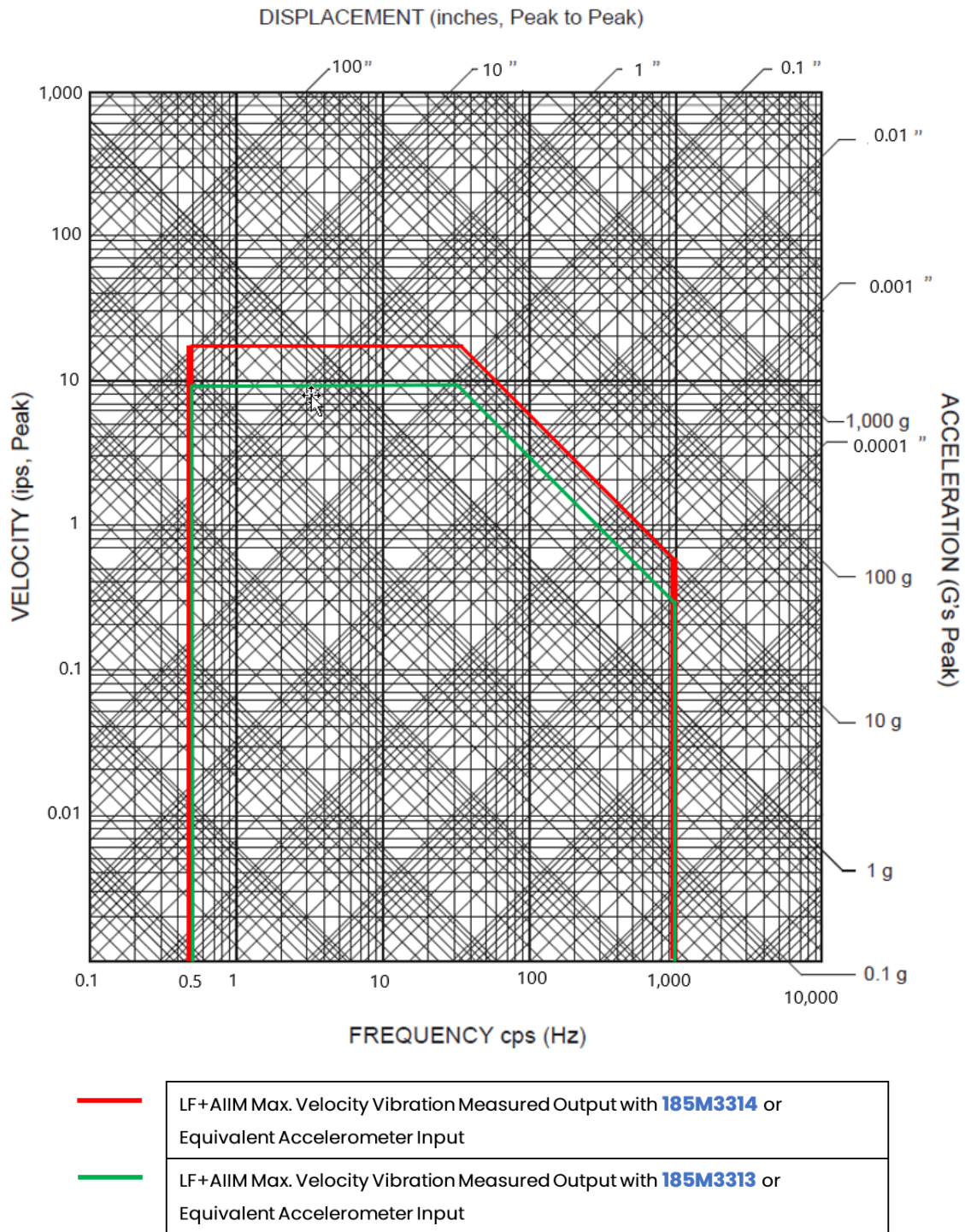


Figure 2: Vibration Nomograph LFVTS

Copyright 2025 Baker Hughes Company. All rights reserved.



Bently Nevada, M2 and Orbit Logo are registered trademarks of Bently Nevada, a Baker Hughes business, in the United States and other countries. The Baker Hughes logo is a trademark of Baker Hughes Company. All other product and company names are trademarks of their respective holders. Use of the trademarks does not imply any affiliation with or endorsement by the respective holders.

Baker Hughes provides this information on an "as is" basis for general information purposes. Baker Hughes does not make any representation as to the accuracy or completeness of the information and makes no warranties of any kind, specific, implied or oral, to the fullest extent permissible by law, including those of merchantability and fitness for a particular purpose or use. Baker Hughes hereby disclaims any and all liability for any direct, indirect, consequential or special damages, claims for lost profits, or third party claims arising from the use of the information, whether a claim is asserted in contract, tort, or otherwise. Baker Hughes reserves the right to make changes in specifications and features shown herein, or discontinue the product described at any time without notice or obligation. Contact your Baker Hughes representative for the most current information.

The information contained in this document is the property of Baker Hughes and its affiliates; and is subject to change without prior notice. It is being supplied as a service to our customers and may not be altered or its content repackaged without the express written consent of Baker Hughes. This product or associated products may be covered by one or more patents. See [Bentley.com/legal](https://www.bentley.com/legal).

1631 Bently Parkway South, Minden, Nevada USA 89423
Phone: 1.775.782.3611 (US) or [Bentley.com/support](https://www.bentley.com/support)
[Bentley.com](https://www.bentley.com)